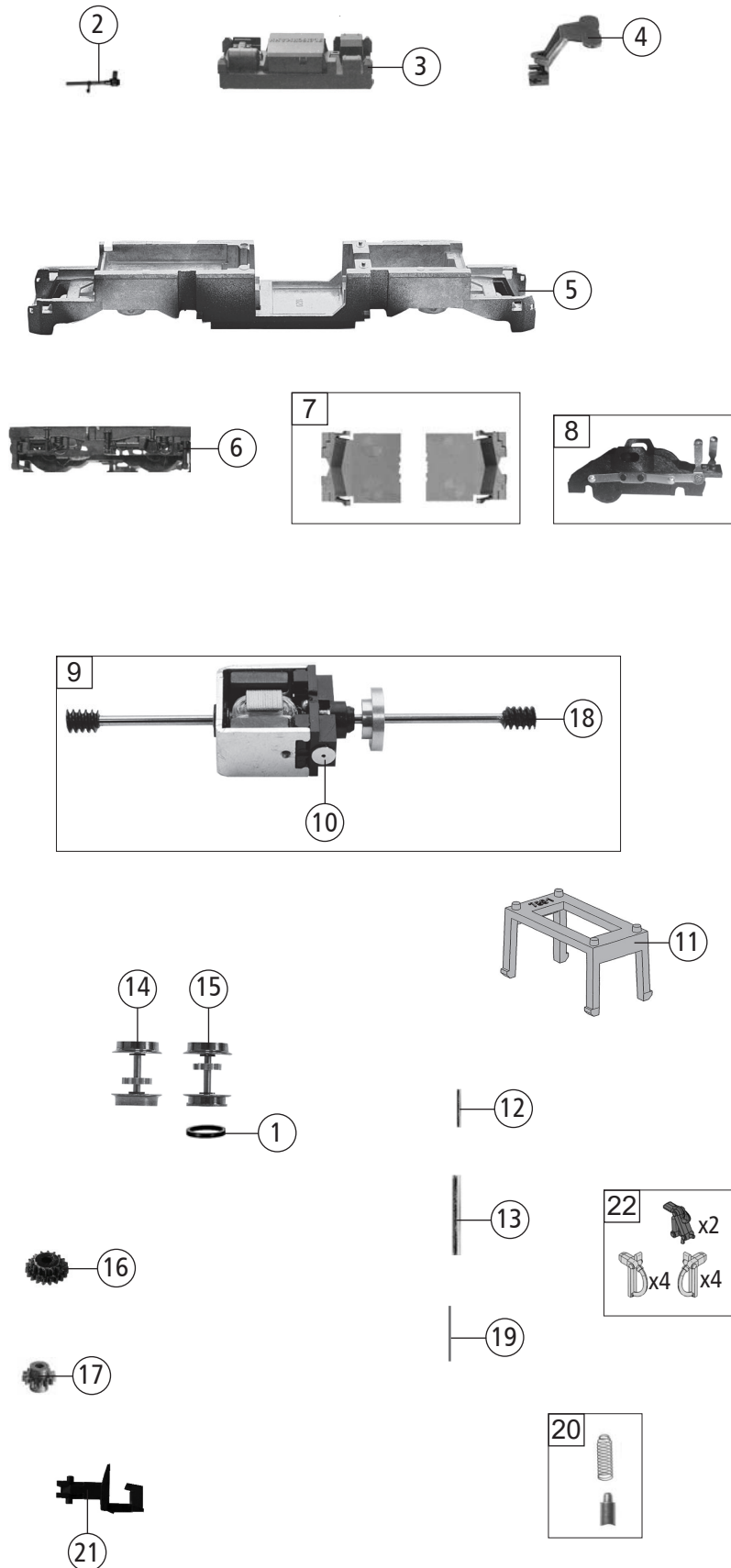


| Pos. Nr. Pos.no. | Beschreibung Description | Art.-Nr. Art.no. | Preisgruppe Price bracket |
|---------------------|--------------------------------------------------------------------------|---------------------|------------------------------|
| 7360010 | DB-AG Br 245 | | N |
| 7370010 | | | N |
| 1 | Gehäuse kpl. Betr. Nr. 245 003-9 Body assy compl. Loco. no. 245 003-9 | 107360010 | 35 |
| 2 | Führerstand Driver's cab inset | 12724504 | 19 |
| 3 | Lichtmaske Light mask | 12738805 | 6 |
| 4 | TS - Fenster, Licht,.... Part set - Window,light conductor,... | 137360010 | 19 |
| 5 | Lichtabdeckung Light cover | 127560008 | 3 |
| 6 | TS - Signahorn Part set - Horn | 00197619 | 11 |
| 7 | Griffstangen Handrails | 19795300 | 8 |
| 8 | TS - Antennen Part set - Antenna | 19795400 | 5 |
| 9 | Tritt Treadle | 19795500 | 5 |
| 10 | TS - Schienenräumer Part set - Railguard | 22724501 | 12 |
| 11 | Platine unten kpl. Lower PCB complete | 65721800 | 18 |
| 12 | Platine oben kpl. Upper PCB complete | 65723800 | 23 |
| 13 | GF - Schraube M1,6x4 mm GF - Screw | 114850 | 3 |
| 14 | Puffer Buffer | 75711900 | 4 |
| 15 | Pufferträger kpl. Buffer beam complete | 75724501 | 11 |
| 16 | Brückenstecker Jumper | 149978 | 17 |
| 17 | Lichtplatine mit Litzen Light PCB w. wires | 65724504 | 13 |
| Sound | | | |
| 18 | Lautsprecher Loudspeaker | 68701100 | 16 |
| 19 | Lautsprecherhalter Loudspeaker holder | 68738872 | 8 |
| 20 | Sounddecoder Sound decoder | 68158018 | 40 |



| Pos. Nr. Pos.no. | Beschreibung Description | Art.-Nr. Art.no. | Preisgruppe Price bracket |
|---------------------|----------------------------------------------------------|---------------------|------------------------------|
| 7360010 | DB-AG Br 245 | = | N |
| 7370010 | | = | N |
| 1 | Haftreifen Traction tyre | 00547002 | 1 |
| 2 | Zugkraftanlenkung Bogie linkage | 19739001 | 6 |
| 3 | Tank Tank | 33724501 | 8 |
| 4 | Kuku-Deichsel Short coupling reception | 00387006 | 5 |
| 5 | Grundrahmen Base frame | 40724504 | 19 |
| 6 | Drehgestellrahmen Bogie framework | 41724501 | 11 |
| 7 | TS - Deichselabdeckung Part set - Bogie cover | 43724501 | 9 |
| 8 | Drehgestellblock kpl. Bogie block complete | 45738801 | 18 |
| 9 | Motor kpl. Motor comp. | 50738901 | 29 |
| 10 | Bürstenhalter Carbon brush holder | 50780400 | 4 |
| 11 | Motor halter Motor retainer clip | 50792000 | 8 |
| 12 | Achse Axle | 00527009 | 1 |
| 13 | Achse f. Drehgestell Axle f. bogie | 00527010 | 1 |
| 14 | Radsatz m. Zahnrad o. Nut Wheelset w. gear w/o groove | 53717600 | 15 |
| 15 | Radsatz m. Zahnrad m. Nut Wheelset w. gear w. groove | 53717700 | 15 |
| 16 | Zahnrad Gear wheel | 56719500 | 5 |
| 17 | Untersetzungsrad Reduction gear wheel | 56719600 | 5 |
| 18 | Schnecke Worm gear | 56762500 | 6 |
| 19 | Richtfeder f. Deichsel Straightening spring f. bogie | 00767008 | 1 |
| 20 | Kohlebürsten + Federn Carbon brush+spring | 89745 | 9 |
| 21 | Standard steck-kupplung Standard plug-in coupling | 98189 | 6 |
| 22 | Zurüstbeutel Bag of accessories | 144994 | 14 |